

FD1 Linear Actuator



Specifications

Input voltage: 12V/24VDC

Duty Cycle: 10%

Speed: 4~ 20mm/s

Noise decibel: $\leq 48\text{Db}$

Stroke: 50mm~ 500mm

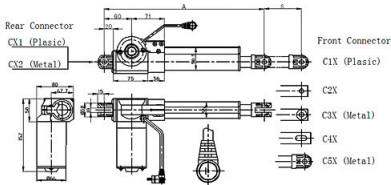
Minimum installation distance: stroke + 160mm

Load Capacity: 6000N max

Limit Switches: Built-in, Factory Preset

Operation Temperature: $-20^{\circ}\text{C} \sim +40^{\circ}\text{C}$

Protection Class: IP48



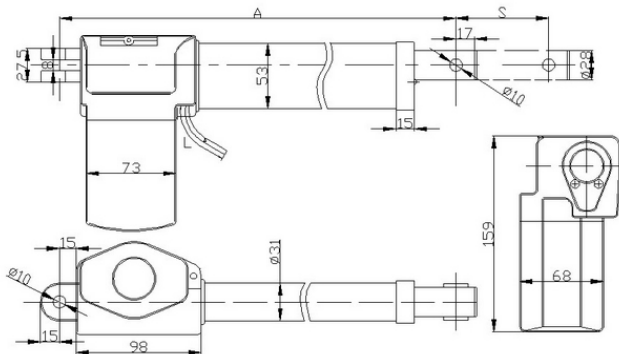


FD2 Linear Actuator

Specifications

Input voltage: 12V/24VDC
Load Capacity: 6000N max
Speed: 4~ 42mm/s
Stroke: 26mm~ 1000mm
Minimum installation distance: stroke + 160mm
Duty Cycle: 10%
Limit Switches: Built-in, Factory Preset
Operation Temperature: -20°C~ +40°C
Noise decibel: ≤48Db
Protection Class: IP54

Installation dimension



FD3 Linear Actuator



Specifications

Input voltage: 12V/24VDC

Load Capacity: 6000N max

Duty Cycle: 10%

Limit Switches: Built-in, Factory Preset

Speed: 4~ 36mm/s

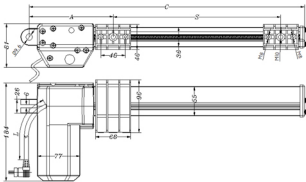
Operation Temperature: -20℃~ +40℃

Noise decibel: ≤ 48 Db

Protection Class: IP48

Stroke: according to customer's requirements

Minimum installation distance: 156mm





FD4 Linear Actuator

Specifications

Input voltage: 12V/24VDC

Load Capacity: 500N

Speed: 16mm/s

Standard stroke: 50mm\100mm\150mm\200mm\250mm\300mm(according to customer's requirement)

Minimum installation distance: stroke + 170mm

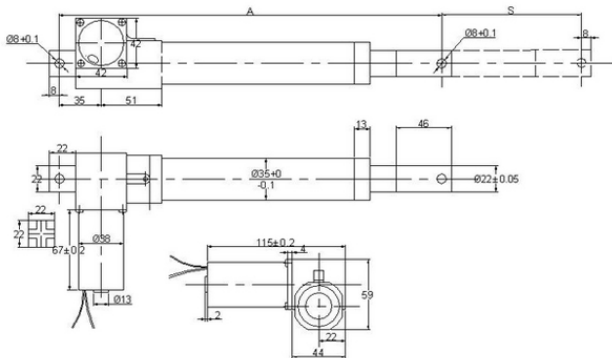
Duty Cycle: 10%

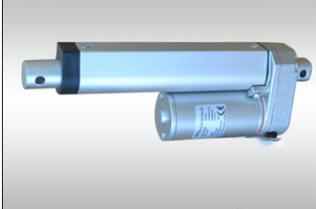
Limit Switches: no limit switches

Operation Temperature: $-25^{\circ}+65^{\circ}$

Protection Class: IP66

Installation dimension





FD5 Linear Actuator

Specifications

Input voltage: 12V/24VDC

Load Capacity: 1500N

Speed: 4-25mm/s

Standard stroke: 50mm\100mm\150mm\200mm\250mm\300mm (according to customer's requirement)

Minimum installation distance: stroke + 105mm

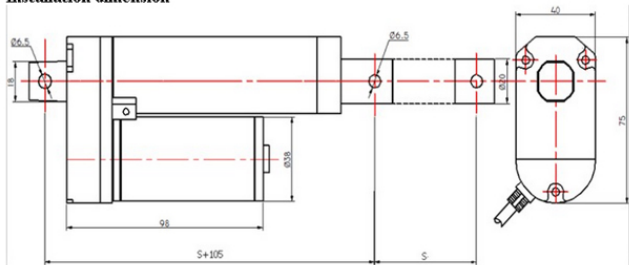
Duty Cycle: 25%

Limit Switches: Built-in, Factory Preset

Operation Temperature: $-25^{\circ}+65^{\circ}$

Protection Class: IP65

Installation dimension





FD6 Linear Actuator Specifications

Input voltage: 12V/24VDC

Load Capacity: 8000N max

Speed: 6mm/s

Stroke: 50mm~ 450mm

Minimum installation distance: stroke + 175mm

Duty Cycle: 10%

Limit Switches: Built-in, Factory Preset

Operation Temperature: -5°C~ +40°C

Protection Class: IP54

Installation dimension

