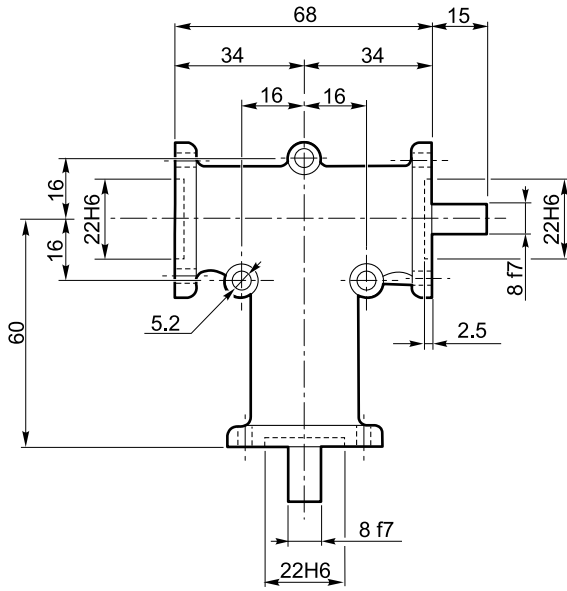
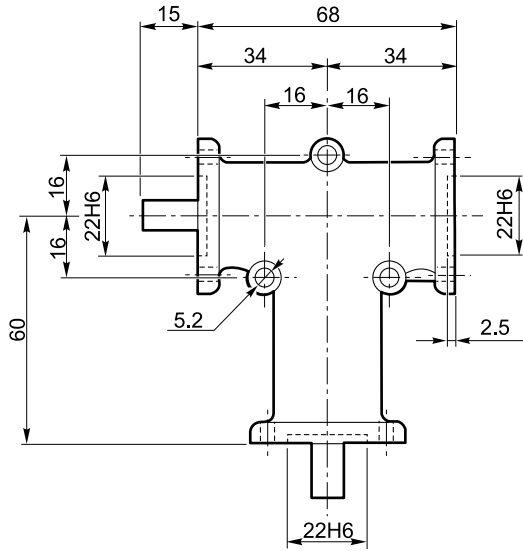


RL 31

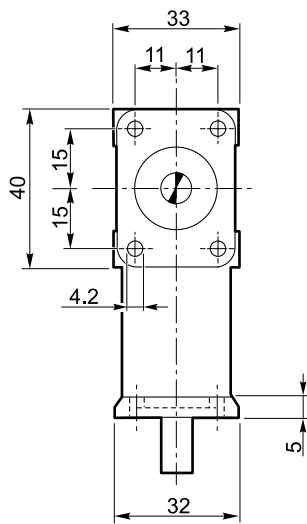
3FL



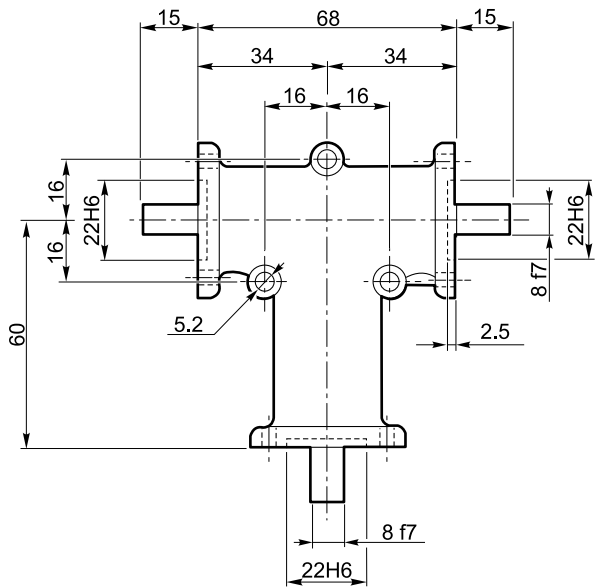
AB



AC



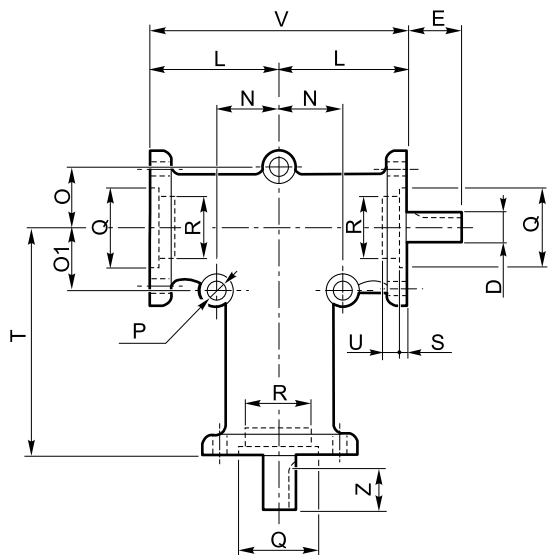
BC



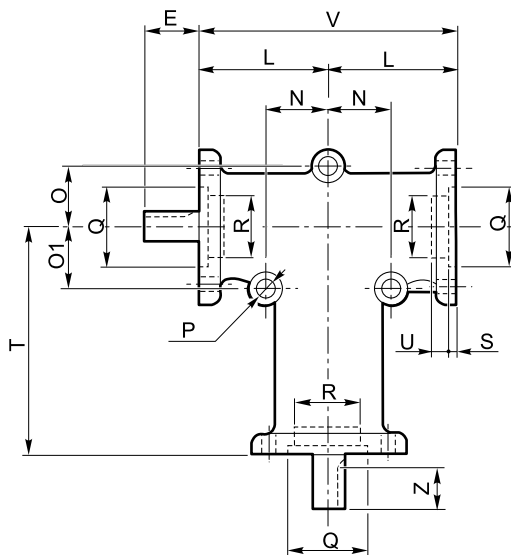


RL 32 - RL 33 - RL 34

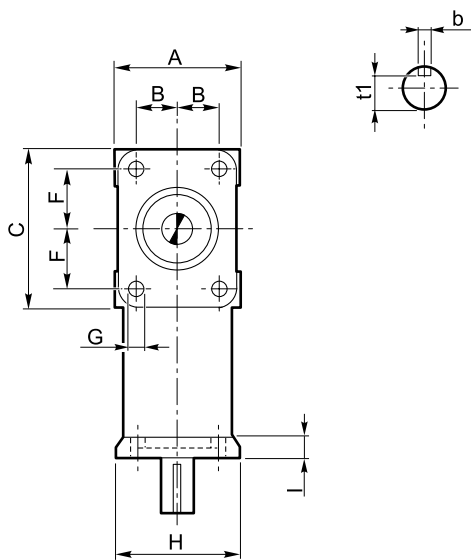
3FL



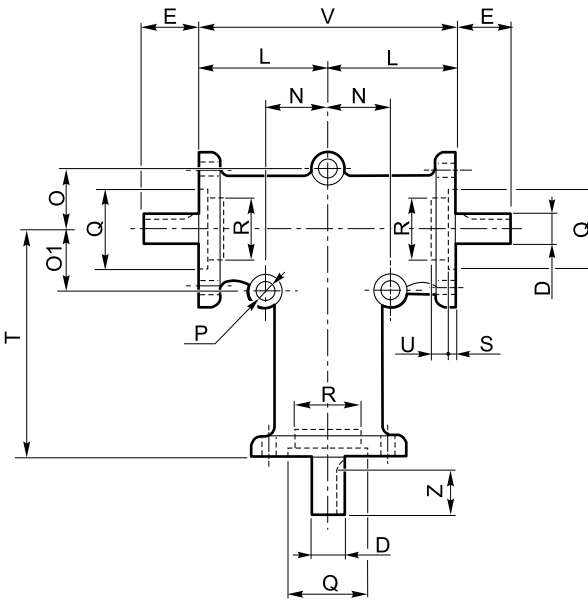
AB



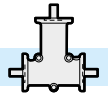
AC



BC

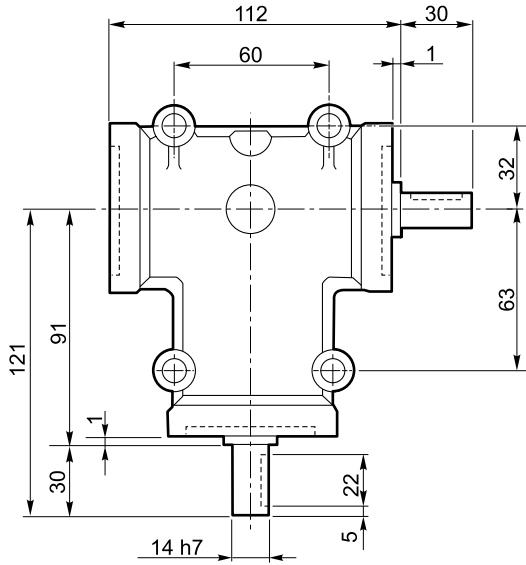


	A	B	C	D _{f7}	b	t ₁	E	F	G	H	I	L	N	O	O ₁	P	Q _{H6}	R _{H6}	S	T	U	V	Z
RL 32	52	18	66	15	5	12	35	26	6.2	50	7	52	24	24	24	8.3	35	-	5	90	-	104	27
RL 33	76	27	96	20	6	16.5	50	38	8.3	74	8	75	38	38	38	8.3	55	52	3.5	140	5	150	40
RL 34	100	38	98	25	8	21	70	38	10.3	98	13	80	45	45	70	10.3	65	62	3.5	150	2	160	60

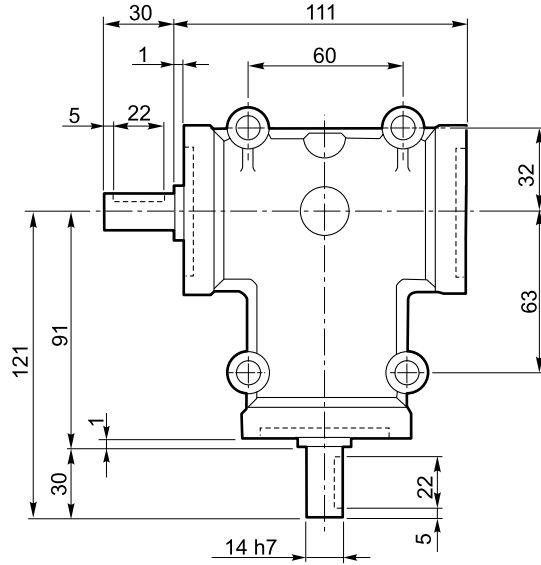


RL 42

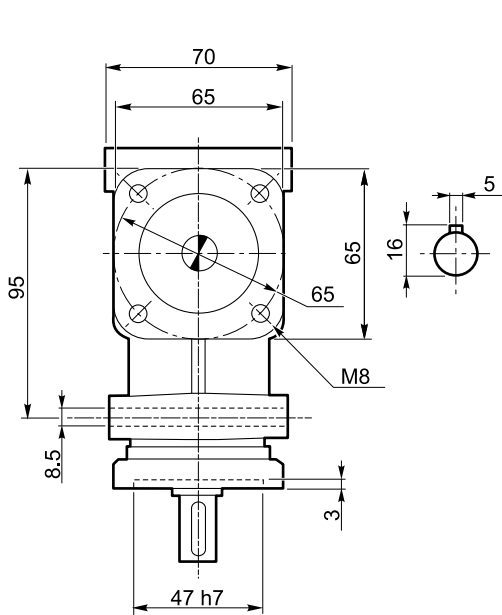
3FL



AB



AC



BC

